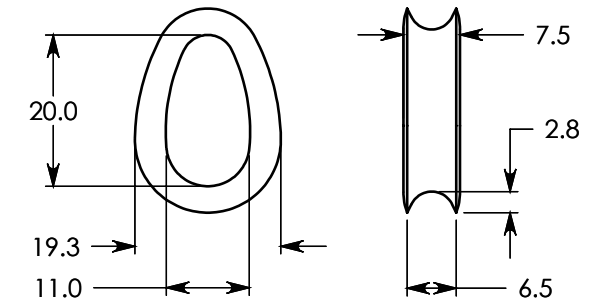
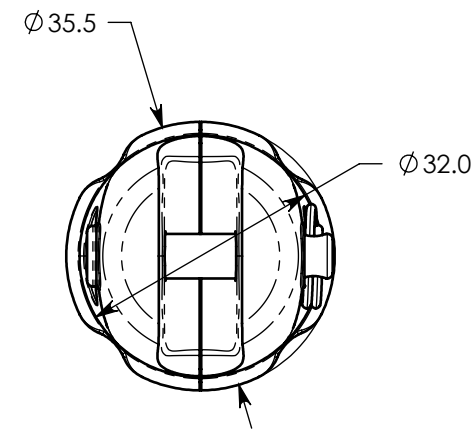
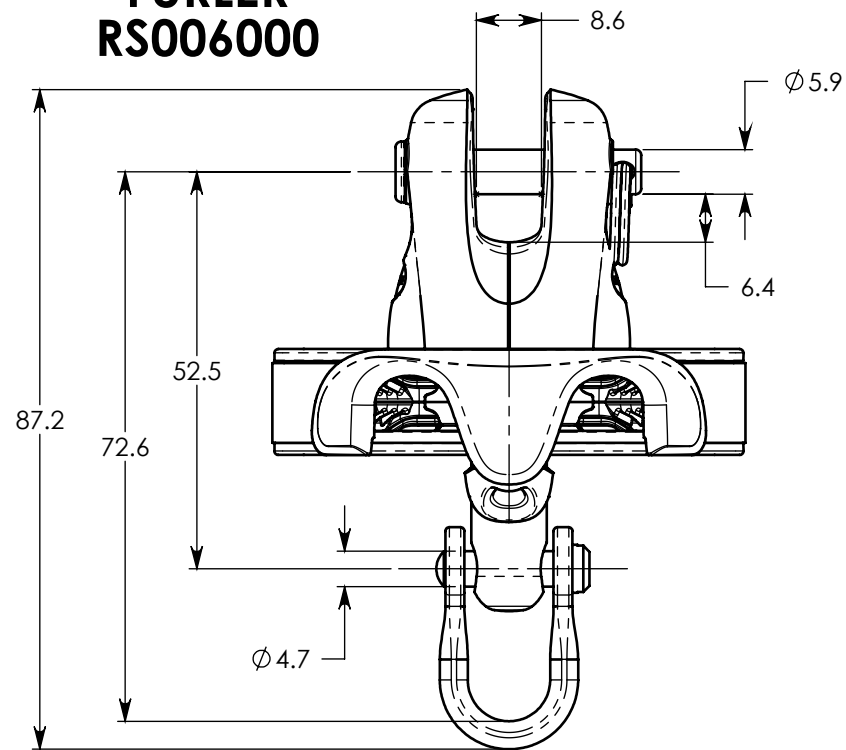
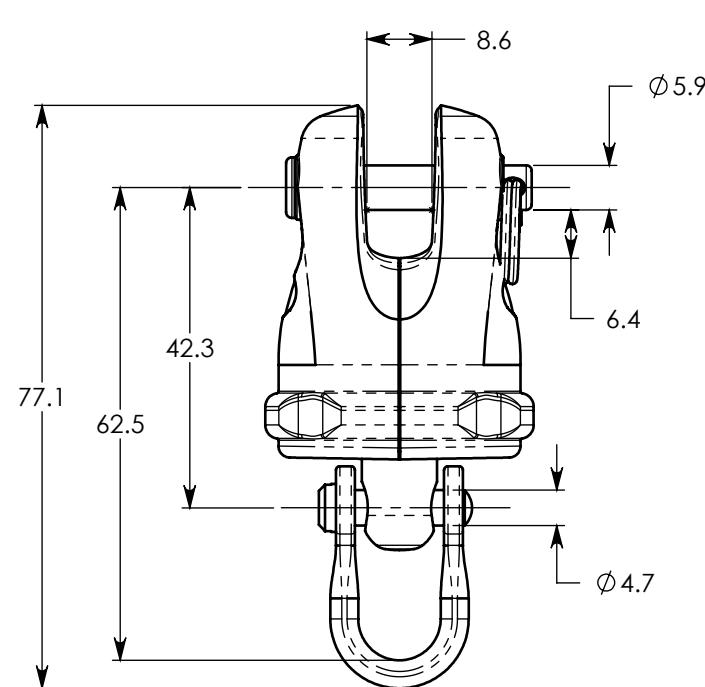


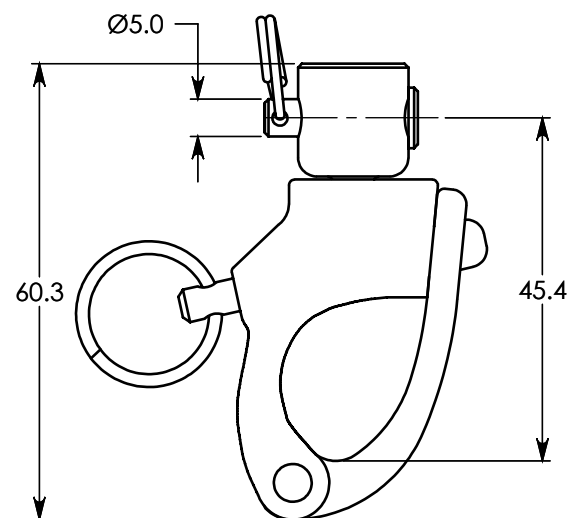
**FURLER
RS006000**



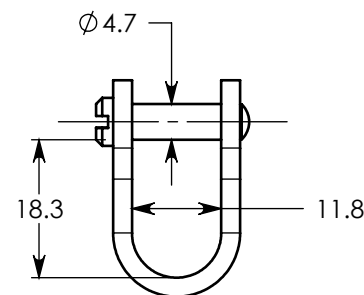
**THIMBLE
RF2181**



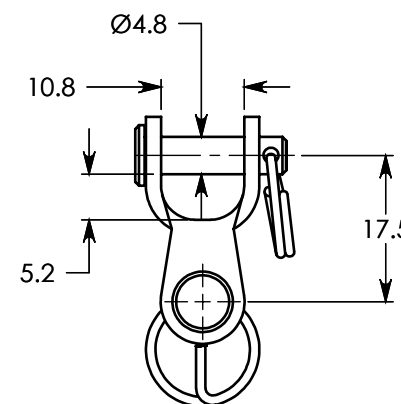
**TOP SWIVEL
RS006010**



**SNAP-SHACKLE
RF6170**



**SHACKLE
RF150**



**TWO WAY LINK
RF815**

**SPECIFICATIONS: SMALL BOAT GENNAKER
FURLER**

RS006000 - FURLER

MWL = 650kg (1430lb)
BL = 1300kg (2860lb)
WEIGHT = 138g (4.9oz)
FURLER LINE Ø = 4-5mm (5/32"-3/16")
SHACKLE = 5mm (3/16")

RS006010 - TOP SWIVEL

MWL = 650kg (1430lb)
BL = 1300kg (2860lb)
WEIGHT = 84g (3.0oz)
SHACKLE = 5mm (3/16")

RS000001 - SERIES 60 FURLER PRE-SPLICED LINE

DIAMETER = 5mm (3/16")
PRE-SPLICED LENGTH = 8m (26ft)

ACCESSORIES:

RF6170 - SNAP SHACKLE ADAPTER

MWL = 500kg (1100lb)
BL = 1000kg (2200lb)
WEIGHT (RF6170) = 49g (1.7oz)
WEIGHT (RF6171) = 62g (2.2oz)

RF150 - SHACKLE

BL = 1500kg (3300lb)
WEIGHT = 10g (0.4oz)

RF815 - TWO WAY LINK

BL = 1100kg (2425lb)
WEIGHT = 14g (0.5oz)

RF2181 - SAILMAKER THIMBLE

MATERIAL = SS316
WEIGHT = 5g (0.2oz)

THE DOCUMENT & THE DESIGN ON IT IS THE EXCLUSIVE PROPERTY OF RONSTAN INTERNATIONAL PTY. LTD. & IS THE SUBJECT OF COPYRIGHT.



DATE 13/04/11
ALL DIMS IN MM
DO NOT SCALE

www.ronstan.com

TITLE Series 60 Furler Spec Sheet

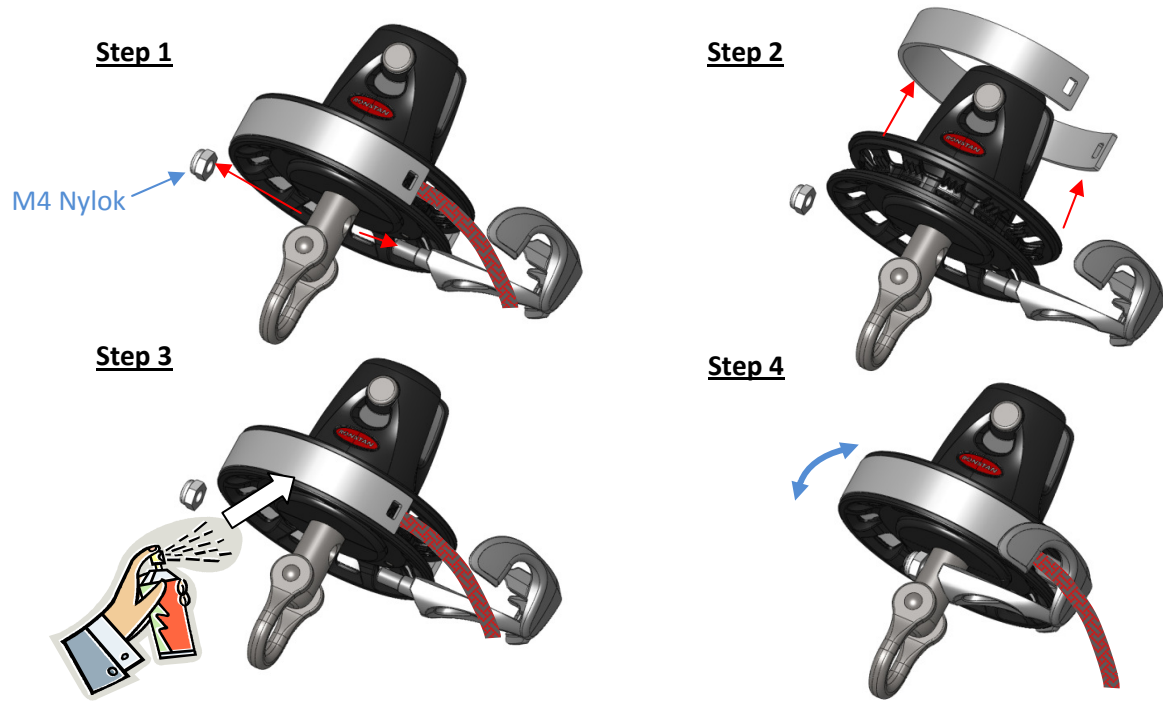
S60 Furler Maintenance Manual



I - FURLING LINE REPLACEMENT:

- RS000001 – 8m (26ft) pre-spliced continuous loop.
- RFSPLICE-1 – Splicing needle can be purchased if a custom length is required. Cut the RS000001 loop and re-splice.
 - Refer to next page for splicing instructions.

What you will need: Spanner to suit M4 (5/32") nut, Silicon lubricant spray (eg: Ronstan Sailfast RF3000).



NOTES:

- Remove the M4 Nylok nut holding the Stainless Steel guide to the furler shaft.
- Slide out the guide from the shaft allowing the PTFE strip to come free.
- Replace the furling line with the RS000001 new pre-spliced continuous furling line.
- Spray Ronstan Sailfast or similar silicon based lubricant in to the groove in the plate to ensure smooth operation.
- Re-connect the guide to the shaft ensuring that the 2 bosses on the guide push in to the matching cutouts in the PTFE strip.
- Swivel the drum by hand to check that the drum spins freely over the PTFE strip.

Two Cam cleats can be used to keep the furling line tight when not in use and keep the sail from unfurling.

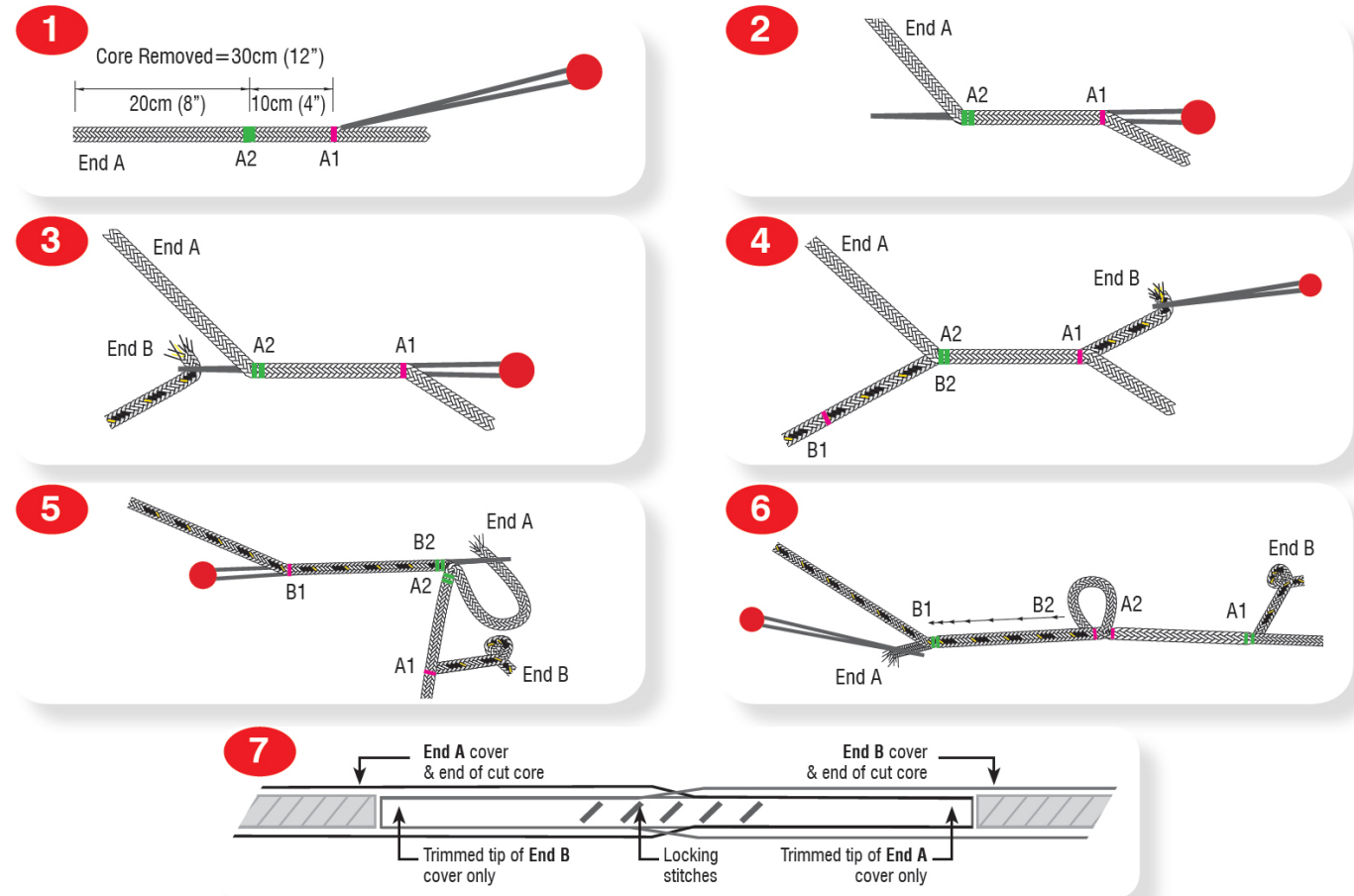
II-Maintenance:

- Rinse regularly with fresh water to remove salt.
- Apply Ronstan RF3000 Sailfast (or a similar silicon based lubricant) over the body and components to enhance performance and prolong service life.
- Replacement, continuous furling line loops are available, order part number RS000001.

III – SPLICING INSTRUCTIONS:



You will need:
 Ronstan supplied splicing needle
 Sharp knife
 Marker pen
 Tape measure
 Wipping twine & needle



Series 60 Gennaker Furler – Continuous furling line splicing instructions

1. Cut the over length continuous furling line either side of the existing splice.
2. Cut to required length plus 40cm (15 3/4").
3. At each end:
 - 3.1. Pull the core out and cut off 30cm (12") of core.
 - 3.2. Milk the cover back over the core until there is no slack in either core or cover.
 - 3.3. The point where the core ends inside the cover should now be about 30cm (12") from the end of the cover.
 - 3.4. Mark the cover where the core now ends (A1), and also mark it 10cm (4") further toward the end (A2) (Diag. 1).
4. Insert splicing needle into End A at A1 & out at A2 – be careful not to enter or exit through the middle of a plait (Diag. 2).
5. Insert 3-5mm (1/8 – 3/16") of End B into the splicing needle (the less line through the needle the easier it will be to pull back through the cover) (Diag. 3).
6. Gently pull End B through the cover of End A and out at A1 of End A, until A2 & B2 on both ends are together (Diag. 4).
7. Tie a figure 8 knot in the end of End B.
8. To complete the second half of the splice repeat steps 4-6 (interchanging End A and End B) (Diag. 5).
9. Massage each cover between A1 and B1, drawing the ends through (by pulling on the knots) until there is no slack. The finished line should be smooth at A1 & B1 and the diameter less than 6.4mm (1/4") – required for proper operation in the furler (Diag. 6).
10. Mark the knotted end of each cover where it exits the other cover.
11. Slide the outer cover back slightly and cut the inner cover off about 2mm (1/16") short of the mark.
12. Work the outer cover back until the tip of the inner cover disappears into the outer cover. Ideally the inner cover will butt up against the end of the core that we trimmed in step 2 and we will have a nice consistent line diameter all the way through (Diag. 7).
13. Make a few locking stitches from A2-B2.

*Colour markings used for identification purposes only.